



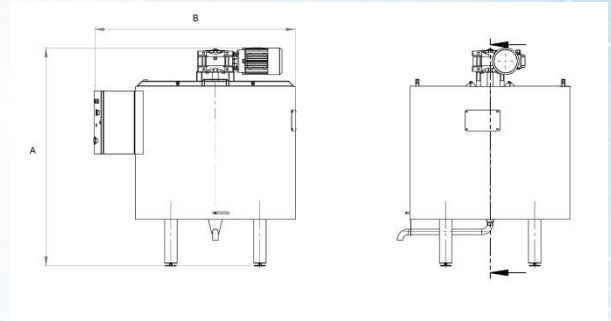
NORMIT
our ideas work



ISO 9001



BRINE DISSOLVER, SALT DISSOLVER, ROZPÚŠŤADLO SOLI



- produces a clear, saturated brine
- The quality of the salt/brine can be enhanced to be used in food products, if so required by the customer
- smart processing, short mixing
- our Dissolvers range from basic configurations to often completely customized and fully automated



- ✓ Salt dissolving system
- ✓ can be designed for any type of salt, food grade, granulated, solar, rock, etc
- ✓ Suitable for food applications, textile dye-setting, chemical industries etc.
- ✓ 100% temperature-controlled process

HOW IT WORKS

The process of salt dissolution is done in the container. Heating is provided with heating elements. The salt is stirred by two-paddle stirrer (speed of about 30 rev / min), and through heating and stirring the salt is dissolving, that provide brine. The device is completed made from stainless steel AISI 304 or AISI 316, it is placed on the legs which are adjustable.

Model	NOR-SALT 50	NOR-SALT 100	NOR SALT 300	NOR SALT 500	NOR SALT 1000 and more
Volume	50	100	300	500	1000 and more
Speed of the impeller	15-30 ot				

NORMIT s.r.o., Pezinska cesta 5104, 901 01 Malacky,
Slovakia

E-mail: info@normit.com, Tel.: +421 902 400 321

www.normit.com