



ISO
9001



NORMIT

our ideas work



MIXING MACHINE WITH THREE DIMENSIONAL SWINGS

ZMIEŠAVAČ 3D („opitý súdok“)

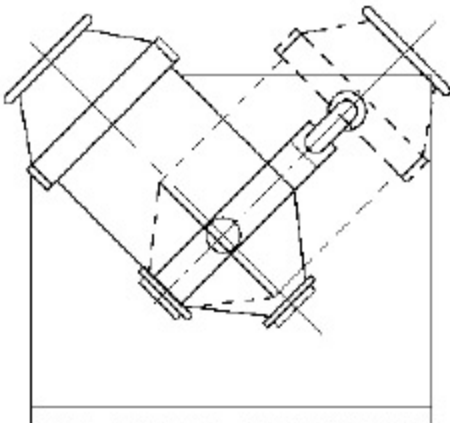
Intendent to thorough mixing by maintaining the structure of solids with relatively low power consumption and a short mixing time. It can also quickly and evenly mixed mixture containing several different materials with different specific weight and different sizes thorough.

Normit company develops and manufactures various equipment for the food, cosmetic, chemical, pharmaceutical and construction industries. we are the market leader in the production of technological equipment. We place high demands on quality and pays special attention to the introduction of innovative technologies.

- Made in Slovakia
- Made from exclusively quality materials with the EU origin
- ISO 9001 certification
- Meets CE standard
- High quality stainless steel AISI 304

SCOPE

- Chemical industry
- Pharmaceutical Industry
- Cosmetic industry
- Food Industry



HOW IT WORKS

The mixing drum with the product rotates in the various directions, ensuring thorough mixing of the product. It avoids the phenomenon of segregation and accumulation caused by centrifugal effect in ordinary mixer.

This machine consists of a construction, transport system, control system multi-directional movement mechanism and the mixing drum.

Parts of the machine, which are in contact with the product are manufactured from stainless steel.

FEATURES

- ✓ In the process of mixing the product achieves 98% degree of homogeneity
- ✓ The maximum load level up to 0.9
- ✓ Short mixing times - High efficiency
- ✓ No dead corner
- ✓ High effectiveness
- ✓ Easy to install
- ✓ Intensive mixing



*Option - suitable for blanks

TECHNICAL PARAMETERS

Model	SMU-PB-P-50	CSMU-PB-P-100	SMU-PB-P-150	SMU-PB-P-250	SMU-PB-P-300
Geometric volume	50	100	150	250	300
Power, kW	1,1	1,1	1,5	2,2	3

* Parameters may be changed according to customer