

# blancher

Model: CB 800/2700



The Normit team developed a solution for blanching of different types of products such as vegetables, mushroom, different sea products, and cooling of the product, preparing it for further processing.



# blancher

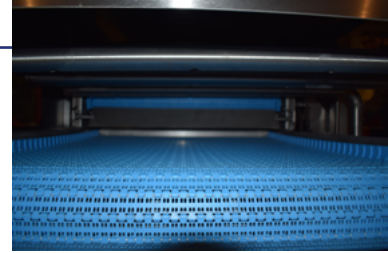
Model: CB 800/2700

## Benefits of blanching

Blanching helps keeping the vitamins and nutritional properties of the product, as well as an outer appearance with bright and natural color.

## Principle of blanching

Blanching (scalding vegetables in boiling water or steam for a short time) is a must for almost all vegetables to be frozen. Blanching cleanses the surface of dirt and organisms, brightens the color and helps retard loss of vitamins. It also wilts or softens vegetables and makes them easier to pack. Blanching time is crucial and varies with the vegetable and size.



## Pouring hot water technology for sensitive products

Conveyor pouring-type blancher is the equipment that eliminates a possibility of a product damage during its movement inside the blancher. Since some delicate products are sensitive to high temperatures, direct steam injection or immersion in hot water do not suit for processing, and thus CB blancher – a system of pouring hot water on the product, is the perfect solution.



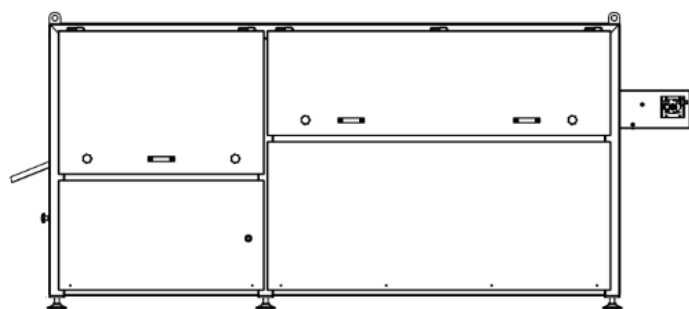
## Cooling mode

After the blanching section, a cooling module follows, where ice water is poured onto the product, cooling it up to 5°C. The solution consists of 5 following sections: infeed section, blanching section (hot water), intermediate section, cooling section (cold water), unloading section.

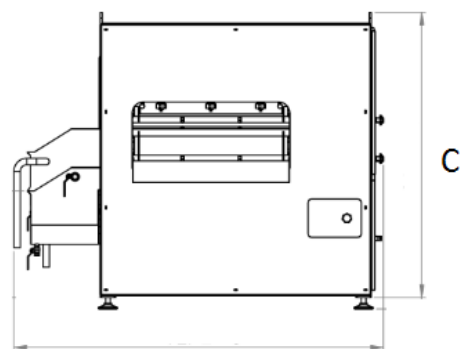


# blancher

Model: CB 800/2700

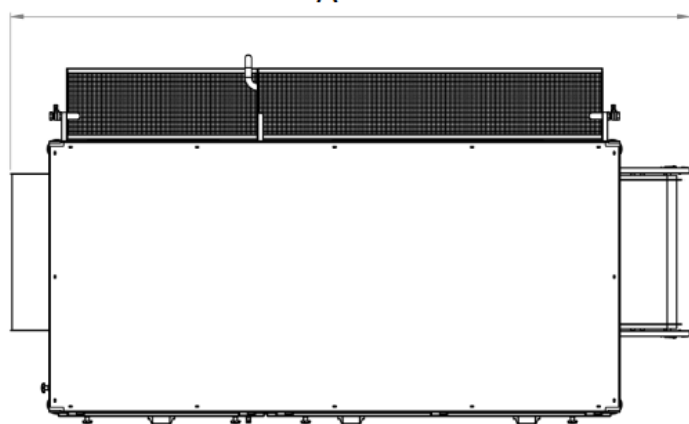


A



B

C



<b>Model</b>	<b>CB 800/2700</b>
<b>Heating: electric</b>	90 kW, 3 x 400V, 50 Hz
<b>Size of the working surface of the blancher:</b>	
<b>heating section</b>	400 * 1800mm
<b>cooling section</b>	400 * 900mm
<b>Total water consumption:</b>	0-350 l / h
<b>Length, A mm</b>	3549
<b>Height, C mm</b>	1490
<b>Width, B mm</b>	1929

NORMIT FOOD, s. r. o.  
Pezinská cesta 5104  
901 01 Malacky, SLOVAKIA

Skype:  
manager.normit

Telephone number:  
+421 902 400 321

E-mail:  
sales@normit.com

Web:  
www.normit.com